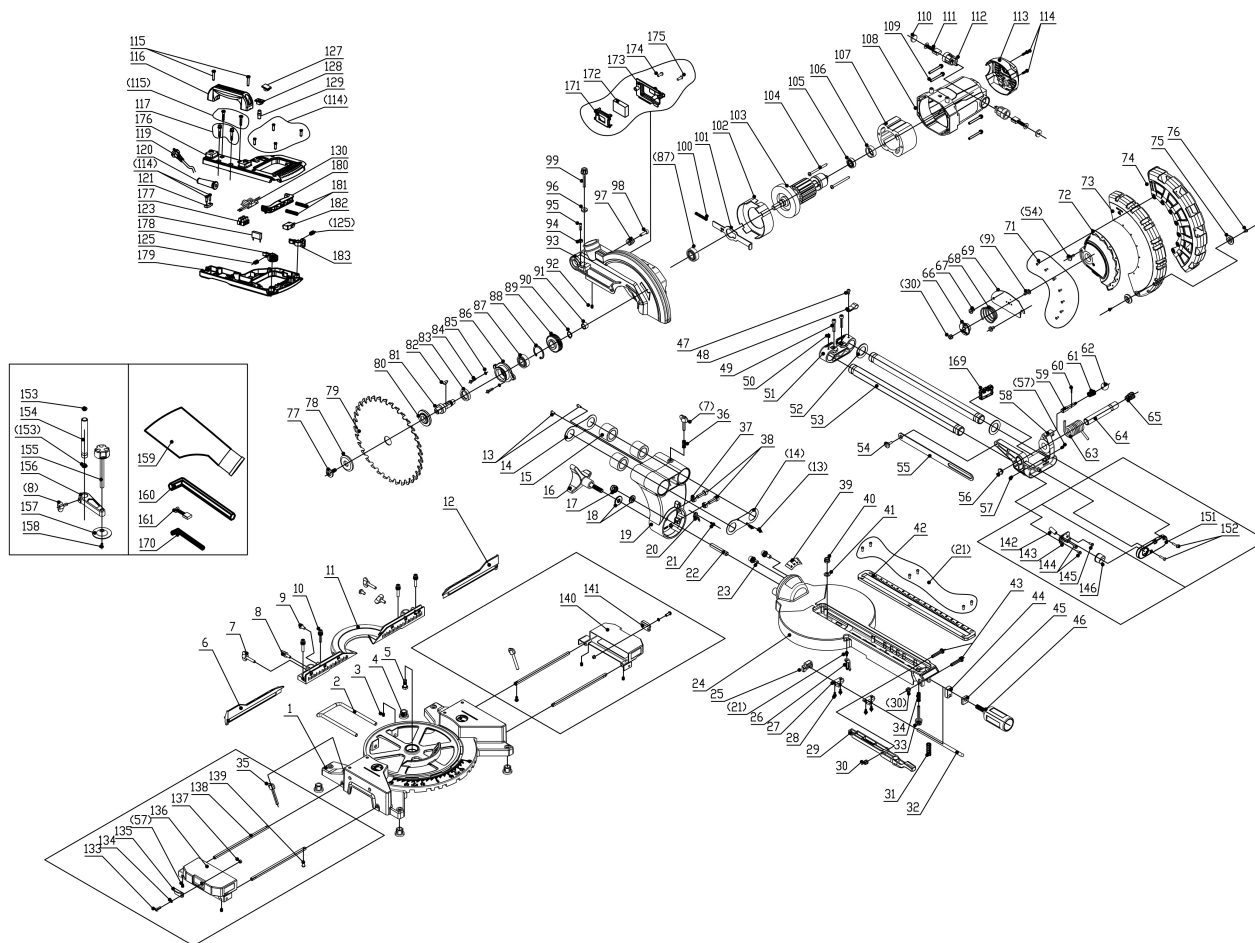


Scheppach

5901216901

Slide Compound Mitre
Saw HM254 scheppach
- 220-240V 50Hz
2000W



Main products

Spare part list

5901216901

133041 - 0164 - HM254 - 0 - 0

Spare	Description	additional	Item	Abb.	ConstructStatus
5901215001	Base assy		1,4,5	A	*
5901216001	bow	Ø8mm	2	A	*
02091620	Threaded pin	M6x8 45H galvanized DIN196	3	A	*
5901215017	rubber foot		4	A	*
02093365	hexagon bolt	M8x20 8.8 DIN933 galvanized	5	A	*
5901215003	left moveable support	RAL9006	6	A	*
5901215004	wing screw		7	A	*
02091236	cheese head screw	M6x16 8.8 912 VZ	9	A	*
5901215005	support part 10		11	A	*

Scheppach

5901216901

Slide Compound Mitre
Saw HM254 scheppach
- 220-240V 50Hz
2000W



Main products

Spare part list

5901216901

133041 - 0164 - HM254 - 0 - 0

Spare	Description	additional	Item	Abb.	ConstructStatus
5901215031	right moveable support part 11		12	A	*
5901215006	loch the handwheel part 15		16	A	*
5901216002	connecting seat		19,15	A	*
5901216003	disk		24	A	*
5801207001	locking lever with spring	RAL9005	29	A	*
02098504	selflocking nut	M6 galvanized DIN985	30	A	*
3901223016	1028 lock knob + spring		33,34	A	*
02098505	nut	M8, verzinkt, DIN985	40	A	*
5906202057	washer part 19		41	A	*
5901215010	table insert plate & pan head screw	M4x10 RAL9005	42,21	A	*
5901215008	side handle		46	A	*
5901216005	pull rod & bracket assy		53,58	A	*
3901106078	screw part 65		54	A	*
5901216006	connecting rod		55	A	*
5901216007	lager torsion spring	Ø33mm	63	A	*
5901216008	transparent cover assy		66-76	A	*
5901216031	saw blade protection		72-74,93	A	*
3401203017	Hex Bolt with Flange (Left Threaded)	M8x20 links	77	A	*
5901215011	outer saw blade flange	Ø45/Ø16x5	78	A	*
3901203703	HW saw blade Ø 254 x 30 x 2,8 mm / 24 T		79	A	optional
7901200702	HW saw blade Ø 255 x 30 x 2,8 x 1,8 mm / 48 T		79	A	*
5901308701	Sawblade	Ø255x30x2.8/1.8 Z=60	79	A	*
5901216009	inner pressure plate	Ø45/Ø16	80	A	*
5901216010	output shaft		81	A	*
02096447	OVAL HEAD SCREW M5x20 5.8 964 VZ	M5x20	84	A	*



Main products

Spare part list

5901216901

133041 - 0164 - HM254 - 0 - 0

Spare	Description	additional	Item	Abb.	ConstructStatus
06406202	Rillenkugellager	6202-2RS	87	A	*
5901216022	big gear	Ø48/15 z=34	89	A	*
01047112	circlip ring	A 15x1,0 FEDST 471 BK	90	A	*
5901216011	shaft lock		101	A	*
5901216012	rotor		103	A	*
06406000	Rillenkugellager	6000 2RS Ø28/10x8	105	A	*
5901216013	stator		107	A	*
5901216014	carbon brush set	1 set = 2 pcs.	111	A	*
5901216015	back cover		113	A	*
5901215018	lifting handle		116	A	*
3401802001	Power Cord with Plug 5m		119	A	*
3906401014	capacitor	0.33 uF / 275V	123	A	*
05003621	pressure spring	10.5/9.8/0.7x17	125	A	*
5901215020	circuit board		130	A	*
5901216018	switch trigger		131	A	*
5901216019	switch	FA1-10/2 10A 250VAC	132	A	*
5901215023	workpiece support part 72+72+120-127	RAL5010	133 - 129,57,15A		*
5901216020	laser assy		141 - 146	A	*
5901216021	laser holder		151	A	*
5901215026	clamping block assy		153 - 158	A	*
5901215027	dust bag - scheppach		159	A	*
01091107	hexagon stud wrench	size 6	160	A	*
01091104	hexagon stud wrench	size 3	170	A	*
5901216029	soft start		171 - 175	A	*
5901216023	above handle	ab BJ Nov.2020	176	A	*



5901216901

Slide Compound Mitre
Saw HM254 scheppach
- 220-240V 50Hz
2000W



Main products

Spare part list

5901216901

133041 - 0164 - HM254 - 0 - 0

Spare	Description	additional	Item	Abb.	ConstructStatus
5901216016	upper handle assy	bis BJ Okt.2020	176	A	*
5901216024	left switch self lokking botton		178	A	*
5901216025	botton handle	ab BJ Nov.2020	179	A	*
5901216017	lower handle	bis BJ Okt.2020	179	A	*
5901216026	switch trigger		180	A	*
5901216027	switch		182	A	*
5901216028	right switch self looking botton		183	A	*

!!! Do you know: From now on you can view spare parts lists in our spare parts shop and order spare parts and accessories directly. More information can be found here: <https://www.scheppach.com/Shop.aspx>